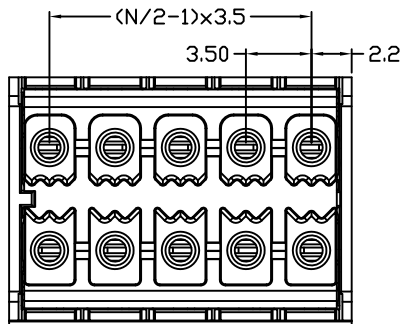
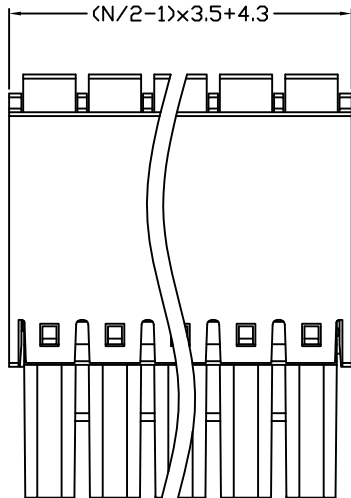
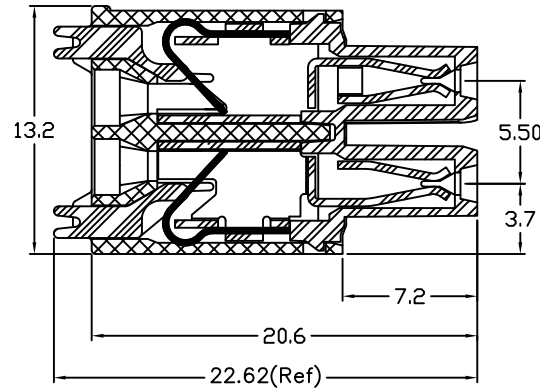
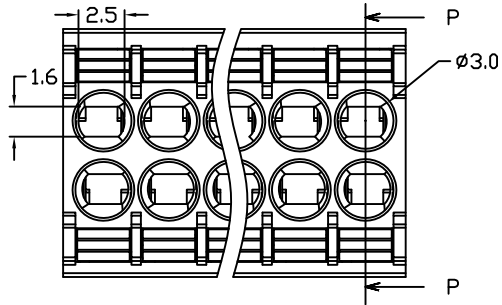


N = Number of positions

RoHS Compliant

Rev.	ECO#	Date	By



Material:	
Contact Clip:	PhBz, Tin Plating
Spring Clamp:	Stainless Steel
Terminal Lever:	Thermoplastic, UL94V-0, orange
Insulating Body:	Thermoplastic, UL94V-0
Electrical	
Voltage Rating:	150 VAC
Current rating:	5.5 AMPS
Withstand Voltage:	1300 VAC, Test time 60 sec
Wire Range:	16-24 AWG
Mechanical	
Operating Temperature:	-40°C to +115°C -40°F to +239°F
Safety Approval:	

### Part Number Configuration

EB5350-XX-X00

Number of Positions: XX  
Color Option: X00  
0- Black  
5- Green

MAX NUMBER OF POSITIONS = 48 (2x24)

UNLESS OTHERWISE SPECIFIED BREAK ALL SHARP EDGES AND DEBURR ALL HOLES	TITLE:	THIS IS A CONFIDENTIAL DRAWING AND MUST BE TREATED AS SUCH. NO DISTRIBUTION IS ALLOWED WITHOUT WRITTEN APPROVAL BY EB5 ELECTRO INC.	Electro Inc. PLAINVIEW, NY 11803
	3.50mm SPACING, SCREWLESS PLUGGABLE BLOCK 2-FINGER CONTACT CLIP		
LIMITS: UNLESS OTHERWISE SPECIFIED HUND. ± 0.2 THOU. ± 0.05	FRACT. ± 1/64 ANGLE ± 1°	SCALE	

**IMPORTANT DISCLAIMER:** All information provided on this print is for reference. Always perform your own tests and acquire samples and further information to determine product suitability. While we make effort to provide accurate information, we cannot be responsible for errors either of omission or typographical. EB5 Electro, Inc. assumes no responsibility for the use or suitability of any product. All products and specifications are subject to change without prior written notice.

METRIC LIMITS ONE PLACE ± 0.3 TWO PLACES ± 0.10 ANGLE ± 1°	DRAWN: AJT CHECKED: _____ APPROVED: _____	DATE: 02/03/15 DATE: _____ DATE: _____	SIZE: A	DRAWING NUMBER: EB5350-XX-X00	REV.
---	---	--	---------	-------------------------------	------