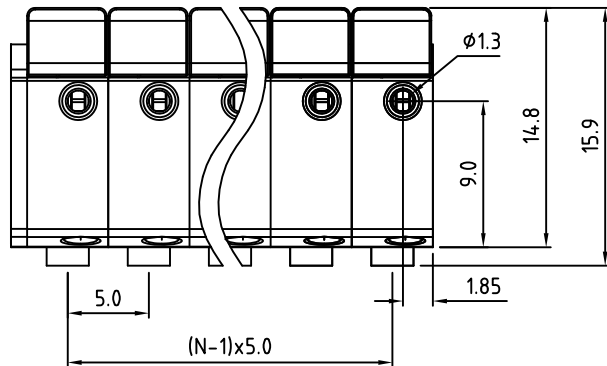
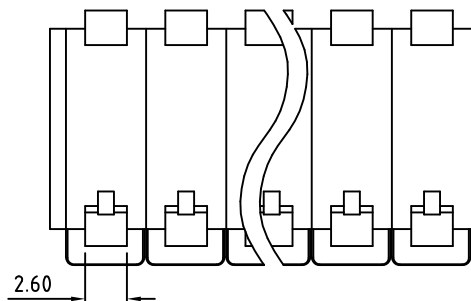
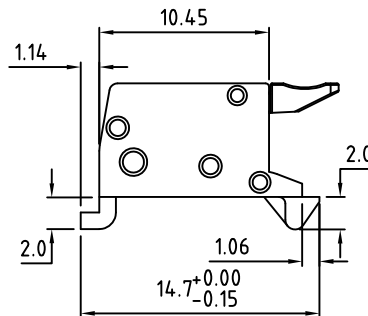
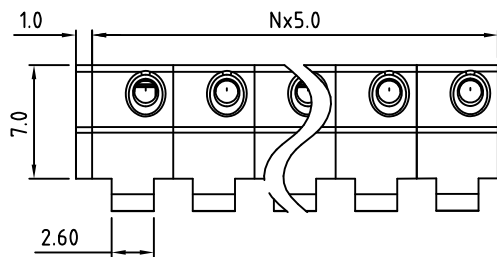


RoHS Compliant

Rev.	ECO#	Date	By
E	1120-0516	05/12/16	AJT



Material:	
Contact Block:	Brass, Tin Plated
Wire Retention Spring:	Stainless Steel
Insulating Body:	Polyamide PA66, UL94V-0
Electrical	
Voltage Rating:	300 VAC
Current rating:	7 AMPS
Wire Range:	Solid: 16-22 AWG Stranded: 18-22 AWG
Mechanical	
Operating Temperature:	-40°C to +115°C -40°F to +239°F



NOTE:
Mates with a $\phi 1.1\text{mm}$ pin

Part Number Configuration.

EB4885-XX-800

Number of Positions: 8
Color Option: Grey

(Other Color Options Available)
Please consult Factory

Max Number of Positions = 24

UNLESS OTHERWISE SPECIFIED BREAK ALL SHARP EDGES AND DEBURR ALL HOLES	TITLE: 5.00mm SPACING, MODULAR, PLUGGABLE
LIMITS: UNLESS OTHERWISE SPECIFIED HUND. ± 0.02 THOU. ± 0.005	SCALE: THIS IS A CONFIDENTIAL DRAWING AND MUST BE TREATED AS SUCH. NO DISTRIBUTION IS ALLOWED WITHOUT WRITTEN APPROVAL BY EB4 ELECTRO INC.



IMPORTANT DISCLAIMER: All information provided on this print is for reference. Always perform your own tests and acquire samples and further information to determine product suitability. While we make effort to provide accurate information, we cannot be responsible for errors either of omission or typographical. EB4 Electro, Inc. assumes no responsibility for the use or suitability of any product. All products and specifications are subject to change without prior written notice.

METRIC LIMITS ONE PLACE ± 0.3 TWO PLACES ± 0.10 ANGLE $\pm 1^\circ$	DRAWN: MWP CHECKED: _____ APPROVED: _____	DATE: 07/03/2013 DATE: _____ DATE: _____	SIZE: A	DRAWING NUMBER: EB4885-XX-800	REV.: E
--	---	--	---------	----------------------------------	---------