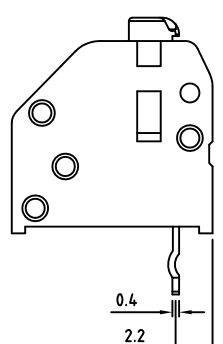
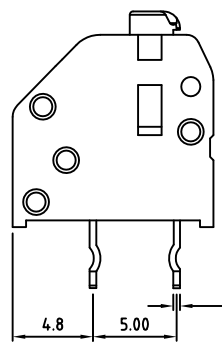
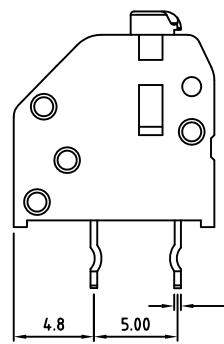
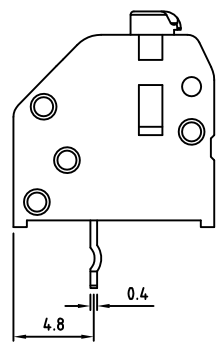
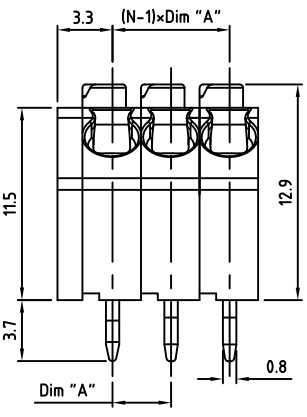


| | |
|------------------------|---------------------------------------|
| Material: | |
| Contact Solder Pin: | Brass, Tin Plated |
| Insulating Body: | Polyamide, UL94V-0 |
| Electrical | |
| Voltage Rating: | 300 VAC |
| Current rating: | 6 Amps 2.50mm Pitch = 2 Amps |
| Withstand Voltage: | 1500 VAC, Test time 60 sec |
| Wire Range: | 16-22 AWG 2.50mm Pitch = 20-26 AWG |
| Mechanical | |
| Operating Temperature: | -40°C to +115°C -40°F to +239°F |
| Soldering Temperature: | 260°C, 500°F for 5 seconds |
| Safety Approval: | UL US |



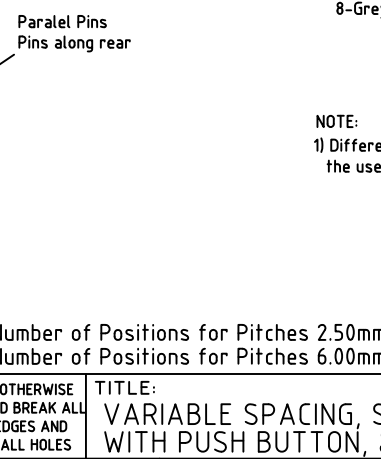
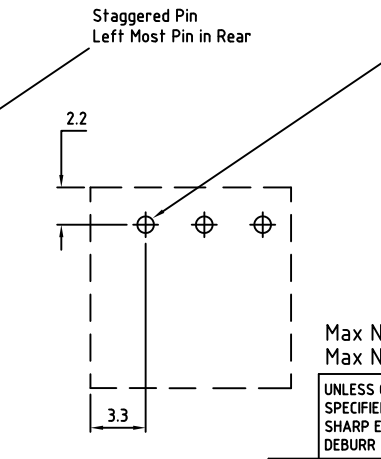
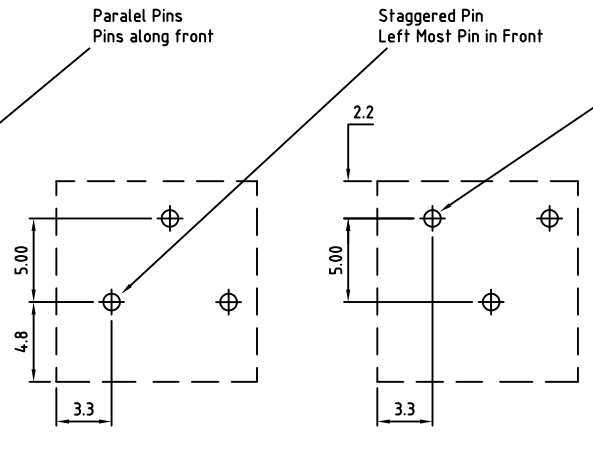
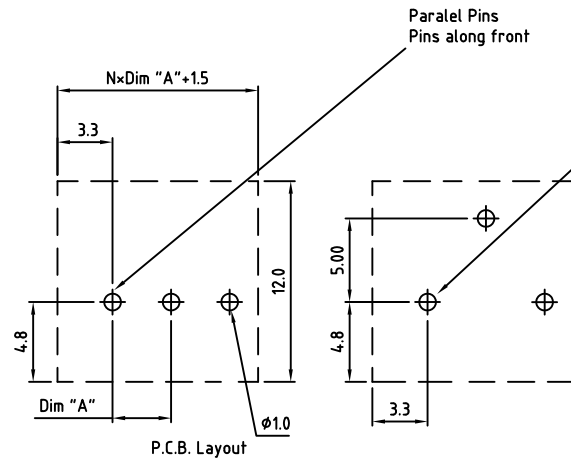
Part Number Configuration

EB430-XX-XXX

| Number of Positions | Color Options | Pin Alignment | Pitch Options(Dim "A") |
|---------------------|---------------|--------------------------|------------------------|
| 0-3 | 0-Black | 0-Parallel | 0-3.50mm |
| 5 | 5-Green | (Pins along front) | 1-2.50mm |
| 6 | 6-Blue | 1-Staggered | 2-7.00mm |
| 8 | 8-Grey | (Left Most Pin in Front) | 3-6.00mm |
| | | 2-Staggered | 4-5.00mm |
| | | (Left Most Pin in Rear) | |
| | | 3-Parallel | |
| | | (Pins along rear) | |

NOTE:
1) Different Pitches are achieved through the use of 2.5mm & 3.5mm plastic spacers

See P/N Config. for Dim "A" Definition



Max Number of Positions for Pitches 2.50mm, 3.50mm, & 5.00mm = 24
Max Number of Positions for Pitches 6.00mm & 7.00mm = 12

UNLESS OTHERWISE SPECIFIED BREAK ALL SHARP EDGES AND DEBURR ALL HOLES

TITLE:
VARIABLE SPACING, SCREWLESS BLOCK WITH PUSH BUTTON, & VARIABLE PIN ALIGNMENTS

LIMITS: UNLESS OTHERWISE SPECIFIED
HUND. ± 0.2
THOU. ± 0.005

SCALE: THIS IS A CONFIDENTIAL DRAWING AND MUST BE TREATED AS SUCH. NO DISTRIBUTION IS ALLOWED WITHOUT WRITTEN APPROVAL BY EB4 ELECTRO INC.



IMPORTANT DISCLAIMER: All information provided on this print is for reference. Always perform your own tests and acquire samples and further information to determine product suitability. While we make effort to provide accurate information, we cannot be responsible for errors either of omission or typographical. EB4 Electro, Inc. assumes no responsibility for the use or suitability of any product. All products and specifications are subject to change without prior written notice.

METRIC LIMITS
ONE PLACE ± 0.3
TWO PLACES ± 0.10
ANGLE ± 1°

DRAWN: JM
CHECKED: MWP
APPROVED: MWP

DATE: 04/20/11
DATE: 04/21/11

SIZE: A

DRAWING NUMBER:
EB430-XX-XXX

REV. E